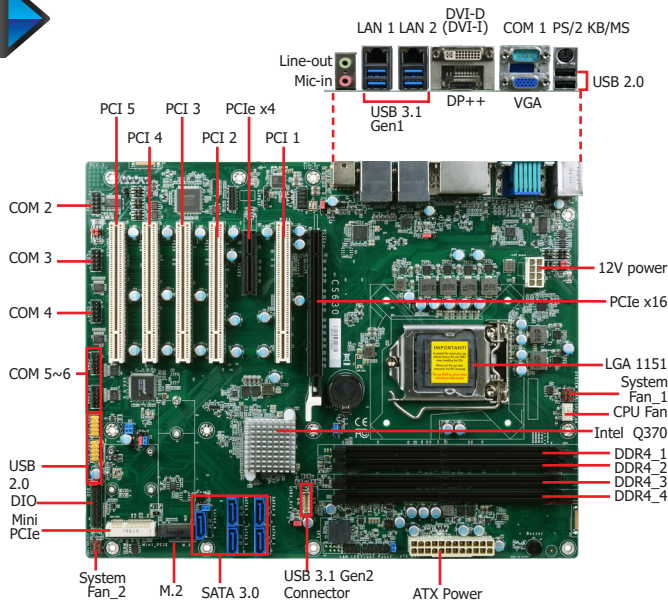


Q370

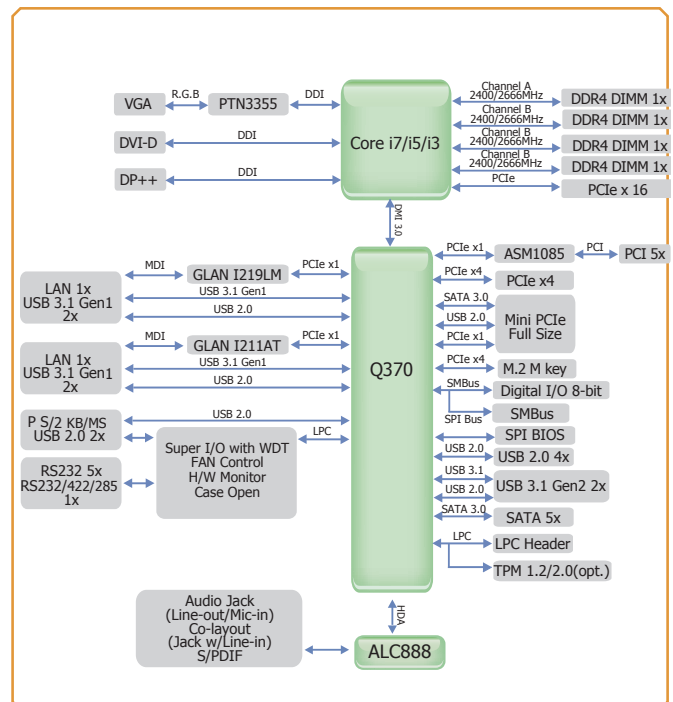


Features

- 4 DDR4 DIMM up to 64GB
- Three display ports: VGA, DVI-D, DP++
Supports three independent displays
- DVI-D: resolution up to 1920x1200 @ 60Hz
DP++ resolution up to 4096x2160 @ 60Hz
- Multiple expansion:
1 PCIe x16 (Gen 3), 1 PCIe x4 (Gen 3), 5 PCI, 1 x mPCIe
1 M.2 M key (support Optane Memory)
- Rich I/O: 2 Intel GbE, 6 COM, 4 USB 3.1 Gen1, 2 USB 3.1 Gen2, 6 USB 2.0



Block Diagram



Specifications

SYSTEM	Processor	8th Generation Intel® Core™ /Pentium®/Celeron® LGA 1151 Socket Processors with TDP up to 95W	
	Chipset	Intel® Q370 Chipset	
	Memory	Four 288-pin DIMM up to 64GB	Dual Channel DDR4 2400/2666MHz
	BIOS	AMI SPI 128Mbit	
GRAPHICS	Controller	Intel® HD Gen 9 Graphics	
	Feature	OpenGL 5.0, DirectX 12, OpenCL 2.1 HW Decode: AVC/H.264, MPEG2, VC1/WMV9, JPEG/MJPEG, HEVC/H265, VP8, VP9 HW Encode: MPEG2, AVC/H264, JPEG, HEVC/H265, VP8, VP9	
	Display	1 x VGA 1 x DVI-I (DVI-D signal) 1 x DP++	VGA: resolution up to 1920x1200 @ 60Hz DVI-D: resolution up to 1920x1200 @ 60Hz DP++: resolution up to 4096x2160 @ 24Hz
	Dual Displays	VGA + DVI-I (DVI-D signal) + DP++	
EXPANSION	Interface	1 x PCIe x16 (Gen 3) 1 x PCIe x4 (Gen 3) 5 x PCI 1 x mPCIe (support mSATA) 1 x M.2 2260/2280 M key (PCIe Gen3 x 4 NVMe)	
AUDIO	Audio Codec	Realtek ALC888	
ETHERNET	Controller	1 x Intel® I211AT PCIe (10/100/1000Mbps) 1 x Intel® I219LM Lan Phy with iAMT (10/100/1000Mbps) (only Core i7/i5 supports iAMT)	
REAR I/O	Ethernet	2 x GbE (RJ-45)	
	USB	4 x USB 3.1 (Gen1) 2 x USB 2.0	
	Serial	1 RS-232/422/485 (RS-232 w/power) (DB-9)	
	PS/2	1 x PS/2 (mini-DIN-6)	
	Display	1 x VGA 1 x DVI-I (DVI-D signal) 1 x DP++	
	Audio	1 x Line-out, 1 x Mic-in, 1 x Line-in (opt., MOQ required)	
INTERNAL I/O	Serial	1 x RS-232/422/485 (RS-232 w/ power) (2.54mm pitch) 4 x RS-232 (2.54mm pitch)	
	USB	2 x USB 3.1 Gen2 (2.00mm pitch) 4 x USB 2.0 (2.54mm pitch)	
	Audio	1 x S/PDIF 1 x Front Audio Header	
	SATA	5 x SATA 3.0 (up to 6Gb/s)	RAID 0/1/5/10
	DIO	1 x 8-bit DIO	
	LPC	1 x LPC	
	SMBus	1 x SMBus	
	WATCHDOG TIMER	Output & Interval	System Reset, Programmable via Software from 1 to 255 Seconds
SECURITY	TPM	Infineon TPM2.0/1.2 (opt., MOQ required)	
POWER	Type	ATX	
	Connector	8-pin ATX 12V power	24-pin ATX power
	Consumption	TBD	
	RTC Battery	CR2032 Coin Cell	
OS SUPPORT		Windows 10 IoT Enterprise 64-bit	Linux: Ubuntu 18.04.
ENVIRONMENT	Temperature	Operating: 0 to 60°C Storage: -30 to 60°C with RTC Battery; -40 to 85°C without RTC Battery	
	Humidity	Operating: 5 to 90% RH	Storage: 5 to 90% RH
	MTBF	TBD	
MECHANICAL	Dimensions	ATX Form Factor	305mm (12") x 244mm (9.6")
	Height	PCB: TBD	Top Side: TBD Bottom Side: TBD
CERTIFICATIONS		CE, FCC, RoHS	